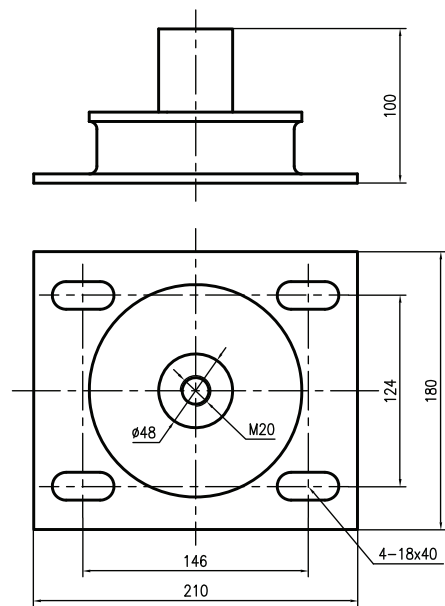
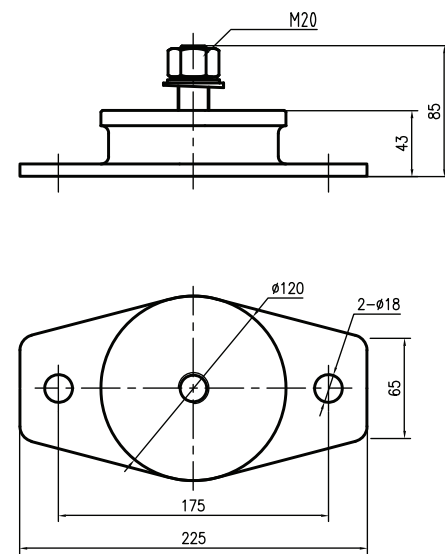


► **Absorber**

Hardness :HS80±5  
 Defurmentation :1200kg/2mm  
 Max Load :6000kg  
 Agglutinated Power : ≥25kg<sup>2</sup>/cm



A Type Absorber



B Type Absorber