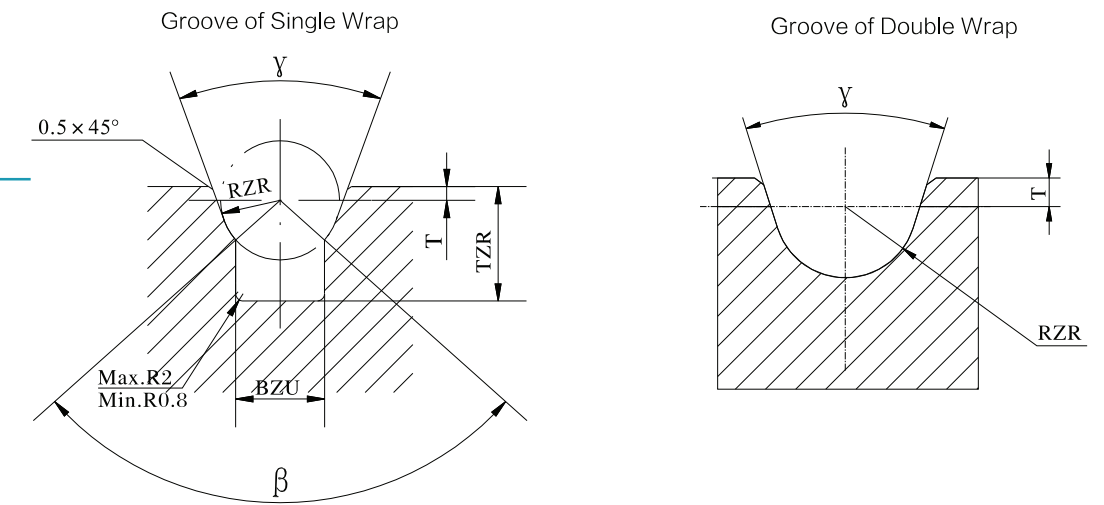


Standard Rope
522="



	522=" Rope	W	X	BZU	RZR	TZR	T
Single Wrap	,	90	30	5.66		9.5	1.5
	K()	90	35	5.5	4.65	12.5	1.5
	10	95	30	+()+	5	12.5	1.5
	11	95	30	8.11	5.5	12.5	1.5
	12	95	30	8.85	*	12.5	1.5
	13	96.5	30	9.70	6.5	12.5	1.5
	14	95	30	10.32	+	15	1.5
	16	96.5	30	11.93	,	15	1.5
Double Wrap	19	96.5	30	14.2	9.525	18	1.5
	10	8	35	8	5.2	8	2
	12	8	35	8	6.2	8	2
	13	8	35	8	*(+)	8	2
	16	8	35	8	8.2	8	2

REMARK

This is our factory standard configuration groove.

The user should calculate according to the elevator traction condition and the safety factor of rope.