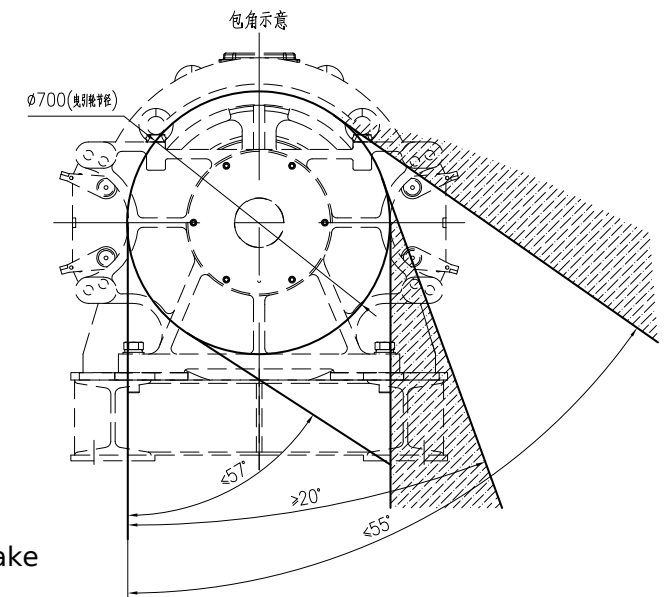
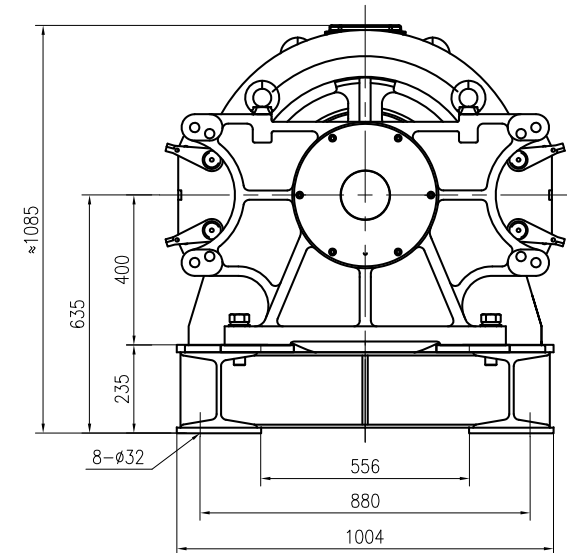
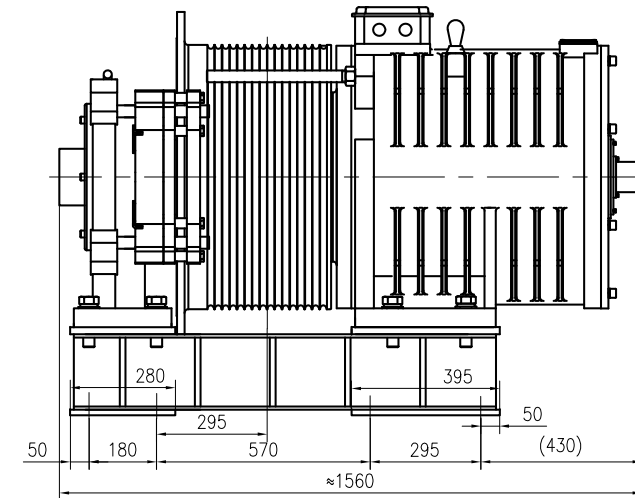


► SGL60

Elevator traction machine

Voltage : 380V
 Suspension : 1 : 1
 PZD360 Brake : DC110V 2×2.2A
 Weight : 3000kg
 Max.Static Load : 36000kg

Spec	Load (kg)	Lift Speed (m/s)	Sheave Diam(mm)	Rope Sheave (mm)	Double Roping	Current (A)	Torque (Nm)	Rated Speed (rpm)	Frequency (Hz)	Power (kW)	Pole	Rating	INS.Class	IP Code
SGL60-165P0-11600	5.0	Φ700	14×Φ16×20	YES	123	3750	137	27.4	53.9	24	S5(60%)	F	IP41	
SGL60-166P0-11600	6.0	Φ700	14×Φ16×20	YES	141	3750	164	32.8	64.6	24	S5(60%)	F	IP41	
SGL60-167P0-11600	7.0	Φ700	14×Φ16×20	YES	165	3750	192	38.4	75.4	24	S5(60%)	F	IP41	
SGL60-205P0-12000	5.0	Φ700	16×Φ16×20	YES	147	4700	137	27.4	67.2	24	S5(60%)	F	IP41	
SGL60-206P0-12000	6.0	Φ700	16×Φ16×20	YES	174	4700	164	32.8	80.6	24	S5(60%)	F	IP41	
SGL60-207P0-12000	7.0	Φ700	16×Φ16×20	YES	213	4700	192	38.4	94	24	S5(60%)	F	IP41	



REMARK

- 1.The machine can't be configured with the handwheel.
- 2.The machine can't be configured with the remote manual brake release.

Note: the angle of the wire rope is around the range shown above, avoiding the shadow part