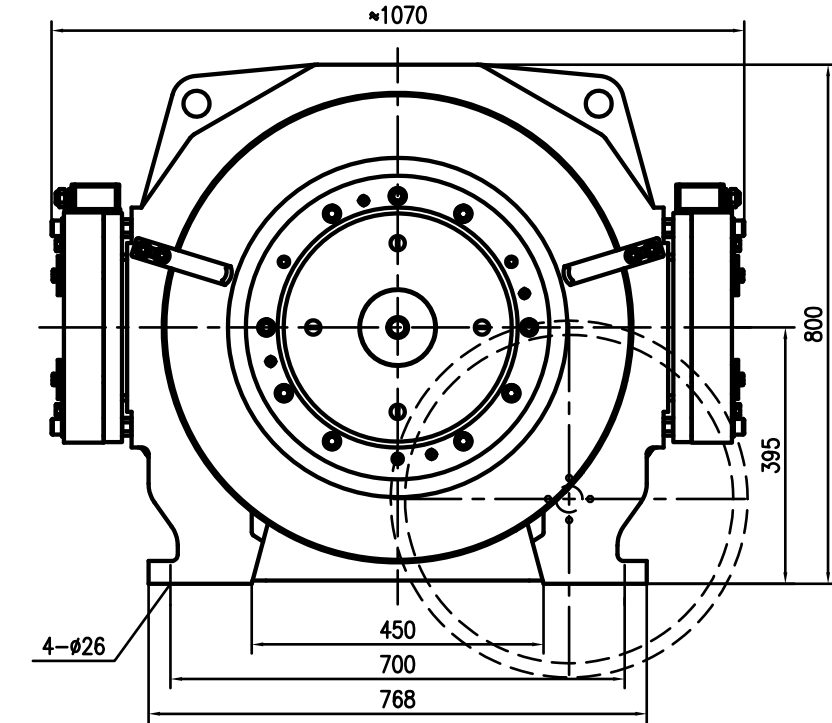
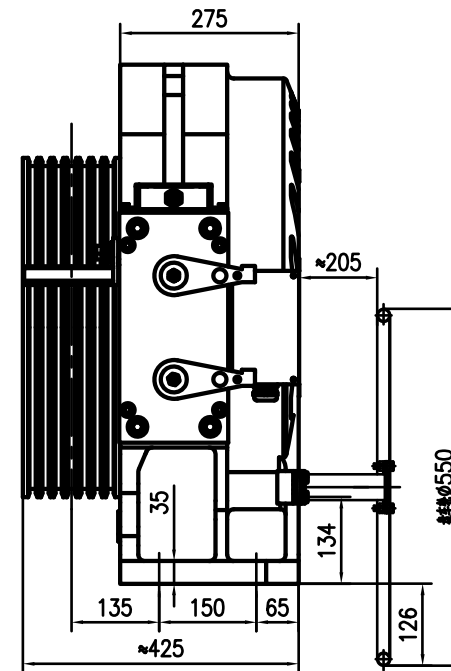


## ► SGL40

### Elevator traction machine

Voltage : 380V  
 Max.Static Load : 8000kg  
 FZD15 Brake : DC110V 2×2.2A  
 Weight : 910kg

Spec	Load (kg)	Lift Speed (m/s)	Sheave Diam(mm)	Rope Sheave (mm)	Current (A)	Torque (Nm)	Rated Speed (rpm)	Frequency (Hz)	Power (kW)	Pole	Rating	INS.Class	IP Code	Suspension
SGL40-201P0	2000	1.0	Φ520	6xΦ13x20	29.2	1735	73	19.5	13.3	32	S5(40%)	F	IP41	2:1
SGL40-201P7	2000	1.75	Φ520	6xΦ13x20	48.7	1735	128	34.1	23.3	32	S5(40%)	F	IP41	2:1
SGL40-202P0	2000	2.0	Φ520	6xΦ13x20	54.6	1735	147	39.2	26.7	32	S5(40%)	F	IP41	2:1
SGL40-251P0	2500	1.0	Φ520	7xΦ13x20	35.7	2170	73	19.5	16.6	32	S5(40%)	F	IP41	2:1
SGL40-251P7	2500	1.75	Φ520	7xΦ13x20	59.8	2170	128	34.1	29.1	32	S5(40%)	F	IP41	2:1
SGL40-252P0	2500	2.0	Φ520	7xΦ13x20	68.3	2170	147	39.2	33.4	32	S5(40%)	F	IP41	2:1
SGL40-121P0-1	1250	1.0	Φ485	8xΦ12x18	19.7	1925	40	10.7	8.1	32	S5(40%)	F	IP41	1:1
SGL40-121P6-1	1250	1.6	Φ485	8xΦ12x18	28.2	1925	63	16.8	12.7	32	S5(40%)	F	IP41	1:1
SGL40-121P7-1	1250	1.75	Φ485	8xΦ12x18	30.4	1925	69	18.4	13.9	32	S5(40%)	F	IP41	1:1
SGL40-122P0-1	1250	2.0	Φ485	8xΦ12x18	35.2	1925	79	21.1	15.9	32	S5(40%)	F	IP41	1:1
SGL40-131P0-1	1350	1.0	Φ485	8xΦ12x18	21.3	2080	40	10.7	8.7	32	S5(40%)	F	IP41	1:1
SGL40-131P6-1	1350	1.6	Φ485	8xΦ12x18	30.5	2080	63	16.8	13.7	32	S5(40%)	F	IP41	1:1
SGL40-131P7-1	1350	1.75	Φ485	8xΦ12x18	32.8	2080	69	18.4	15.0	32	S5(40%)	F	IP41	1:1
SGL40-132P0-1	1350	2.0	Φ485	8xΦ12x18	38	2080	79	21.1	17.2	32	S5(40%)	F	IP41	1:1



#### REMARK

The machine can be configured with the remote manual brake release with 4-meter cable.