

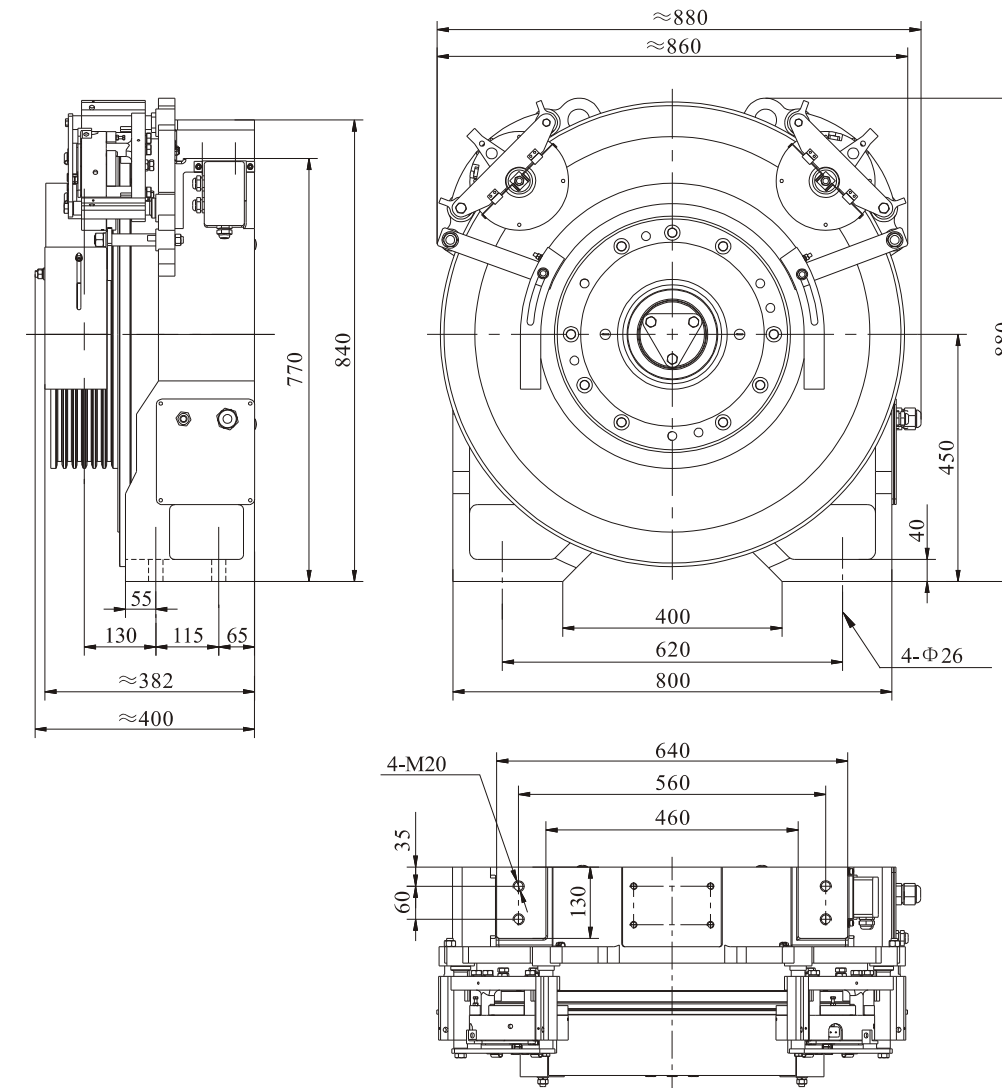


## ► SGL30

### Elevator traction machine

Voltage : 380V  
 Suspension : 2 : 1  
 PZD220A Brake : DC110V 2×1.1A  
 Weight : 820kg  
 Max.Static Load : 6000kg

Spec	Load (kg)	Lift Speed (m/s)	Sheave Diam(mm)	Rope Sheave (mm)	Current (A)	Torque (Nm)	Rated Speed (rpm)	Frequency (Hz)	Power (kW)	Pole	Rating	INS.Class	IP Code
SGL30-131P0	1350	1.0	Φ485	5×Φ12×18	24.3	1050	79	21	8.8	32	S5(40%)	F	IP41
SGL30-131P6	1350	1.6	Φ485	5×Φ12×18	34.6	1050	126	33.6	14.2	32	S5(40%)	F	IP41
SGL30-131P7	1350	1.75	Φ485	5×Φ12×18	37.4	1050	138	36.8	15.5	32	S5(40%)	F	IP41
SGL30-132P0	1350	2.0	Φ485	5×Φ12×18	41.9	1050	158	42	17.6	32	S5(40%)	F	IP41
SGL30-161P0	1600	1.0	Φ485	5×Φ12×18	27.4	1250	79	21	10.5	32	S5(40%)	F	IP41
SGL30-161P6	1600	1.6	Φ485	5×Φ12×18	39.8	1250	126	33.6	16.5	32	S5(40%)	F	IP41
SGL30-161P7	1600	1.75	Φ485	5×Φ12×18	44	1250	138	36.8	18.1	32	S5(40%)	F	IP41
SGL30-162P0	1600	2.0	Φ485	5×Φ12×18	49.5	1250	158	42	20.7	32	S5(40%)	F	IP41
SGL30-201P0	2000	1.0	Φ485	6×Φ12×18	31.7	1560	79	21	13	32	S5(40%)	F	IP41
SGL30-201P6	2000	1.6	Φ485	6×Φ12×18	50	1560	126	33.6	20.7	32	S5(40%)	F	IP41
SGL30-201P7	2000	1.75	Φ485	6×Φ12×18	53.8	1560	138	36.8	22.6	32	S5(40%)	F	IP41
SGL30-202P0	2000	2.0	Φ485	6×Φ12×18	60.7	1560	158	42	26	32	S5(40%)	F	IP41



#### REMARK

The machine can be configured with the remote manual brake release with 4-meter cable.