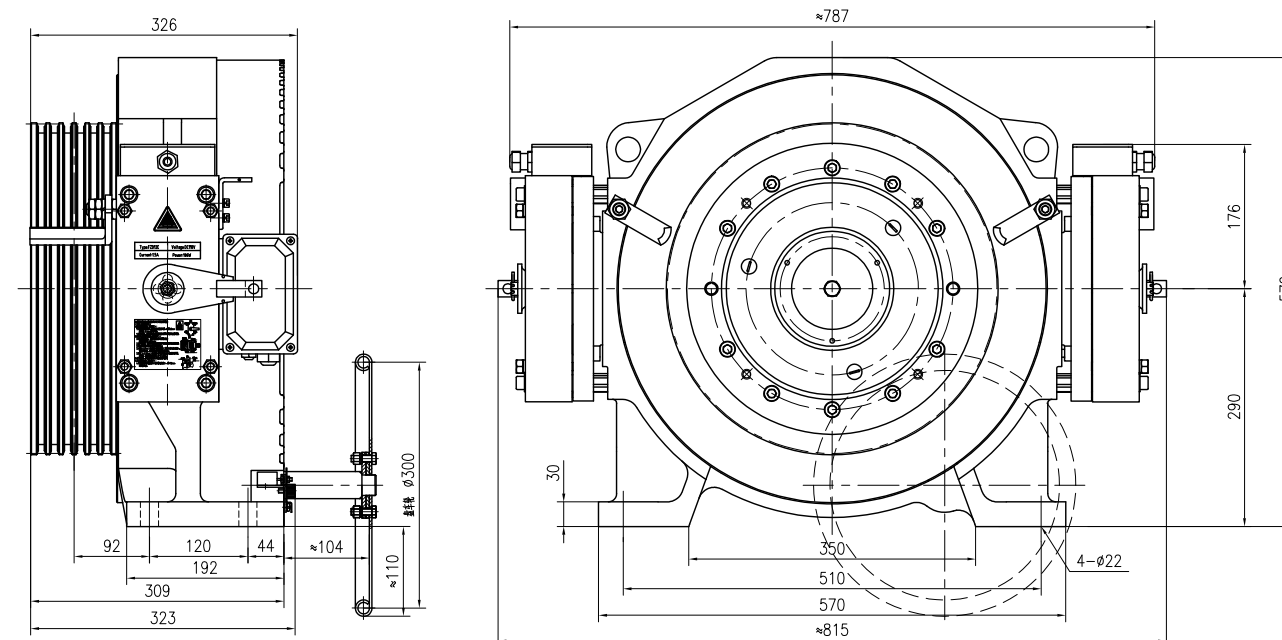




► SGL21B

Elevator traction machine

Voltage : 380V
 Suspension : 2 : 1 / 1 : 1
 FZD12C Brake : DC110V 2×1.5A
 Weight : 350kg
 Max.Static Load : 3500kg



Spec	Load (kg)	Lift Speed (m/s)	Sheave Diam(mm)	Rope Sheave (mm)	Current (A)	Torque (Nm)	Rated Speed (rpm)	Frequency (Hz)	Power (kW)	Pole	Rating	INS.Class	IP Code	Suspension
SGL21B-121P0	1250/1275	1.0	Ø400	6×Φ10×16	18.5	810	96	25.6	8.1	32	S5(40%)	F	IP41	2:1
SGL21B-121P5	1250/1275	1.5	Ø400	6×Φ10×16	28.3	810	144	38.4	12.2	32	S5(40%)	F	IP41	2:1
SGL21B-121P6	1250/1275	1.6	Ø400	6×Φ10×16	28.3	810	153	40.8	13.0	32	S5(40%)	F	IP41	2:1
SGL21B-121P7	1250/1275	1.75	Ø400	6×Φ10×16	30.3	810	167	44.5	14.2	32	S5(40%)	F	IP41	2:1
SGL21B-122P0	1250/1275	2.0	Ø400	6×Φ10×16	35.6	810	192	51.2	16.3	32	S5(40%)	F	IP41	2:1
SGL21B-111P0	1150	1.0	Ø400	6×Φ10×16	17.0	750	96	25.6	7.5	32	S5(40%)	F	IP41	2:1
SGL21B-111P5	1150	1.5	Ø400	6×Φ10×16	26.0	750	144	38.4	11.3	32	S5(40%)	F	IP41	2:1
SGL21B-111P6	1150	1.6	Ø400	6×Φ10×16	26.0	750	153	40.8	12.0	32	S5(40%)	F	IP41	2:1
SGL21B-111P7	1150	1.75	Ø400	6×Φ10×16	28.0	750	167	44.5	13.1	32	S5(40%)	F	IP41	2:1
SGL21B-112P0	1150	2.0	Ø400	6×Φ10×16	33.0	750	192	51.2	15.1	32	S5(40%)	F	IP41	2:1
SGL21B-82P5	800	2.5	Ø480	6×Φ10×16	28.5	625	200	53.3	13.1	32	S5(40%)	F	IP41	2:1
SGL21B-102P5	1000	2.5	Ø480	6×Φ10×16	35.6	780	200	53.3	16.3	32	S5(40%)	F	IP41	2:1

REMARK

The machine can be configured with the remote manual brake release with 4-meter cable.

Spec	Load (kg)	Lift Speed (m/s)	Sheave Diam(mm)	Rope Sheave (mm)	Current (A)	Torque (Nm)	Rated Speed (rpm)	Frequency (Hz)	Power (kW)	Pole	Rating	INS.Class	IP Code	Suspension
SGL21B-61P0-1	630	1.0	Ø400	6×Φ10×16	11.5	810	48	12.8	4.1	32	S5(40%)	F	IP41	1:1
SGL21B-61P5-1	630	1.5	Ø400	6×Φ10×16	16.2	810	72	19.2	6.1	32	S5(40%)	F	IP41	1:1
SGL21B-61P6-1	630	1.6	Ø400	6×Φ10×16	16.2	810	77	20.5	6.5	32	S5(40%)	F	IP41	1:1
SGL21B-61P7-1	630	1.75	Ø400	6×Φ10×16	17.2	810	84	22.4	7.1	32	S5(40%)	F	IP41	1:1
SGL21B-62P0-1630	2.0	Ø400	6×Φ10×16	18.5	810	96	25.6	8.1	32	S5(40%)	F	IP41	1:1	