

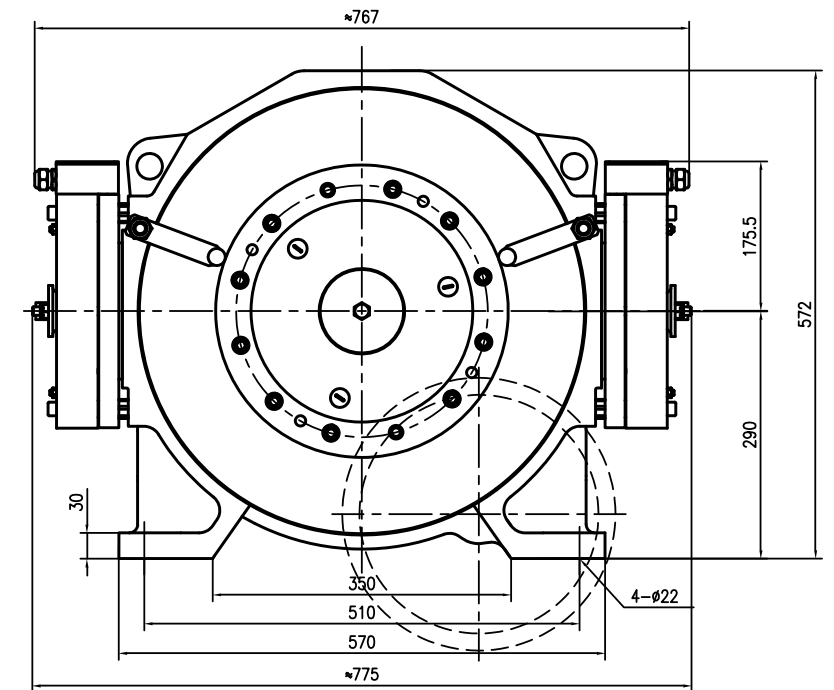
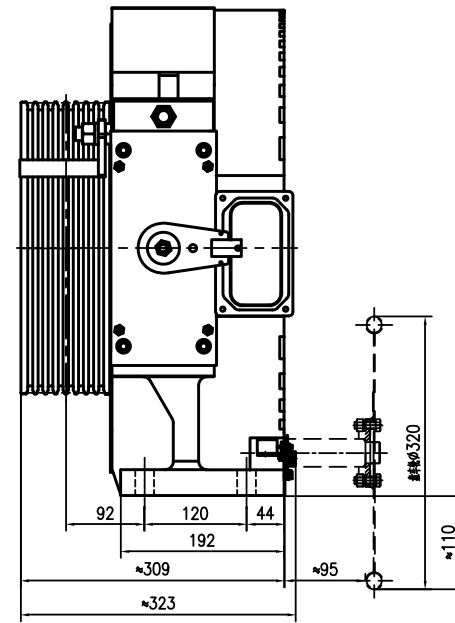


## ► SGL21A

### Elevator traction machine

Voltage : 380V  
 Suspension : 2 : 1  
 FZD12AB Brake : DC110V 2×1.0A  
 Weight : 350kg  
 Max.Static Load : 3000kg

Spec	Load (kg)	Lift Speed (m/s)	Sheave Diam(mm)	Rope Sheave (mm)	Current (A)	Torque (Nm)	Rated Speed (rpm)	Frequency (Hz)	Power (kW)	Pole Rating	INS.Class	IP Code
SGL21A-111P0	1150	1.0	Φ340	8×Φ8×12	17.2	650	112	29.9	7.6	32	S5(40%)	F IP41
SGL21A-111P5	1150	1.5	Φ340	8×Φ8×12	26.3	650	168	44.8	11.4	32	S5(40%)	F IP41
SGL21A-111P6	1150	1.6	Φ340	8×Φ8×12	26.3	650	180	48	12.3	32	S5(40%)	F IP41
SGL21A-111P7	1150	1.75	Φ340	8×Φ8×12	29	650	198	52.8	13.5	32	S5(40%)	F IP41
SGL21A-112P0	1150	2.0	Φ340	8×Φ8×12	33.1	650	225	60	15.3	32	S5(40%)	F IP41



**REMARK**

The machine can be configured with the remote manual brake release with 4-meter cable.