

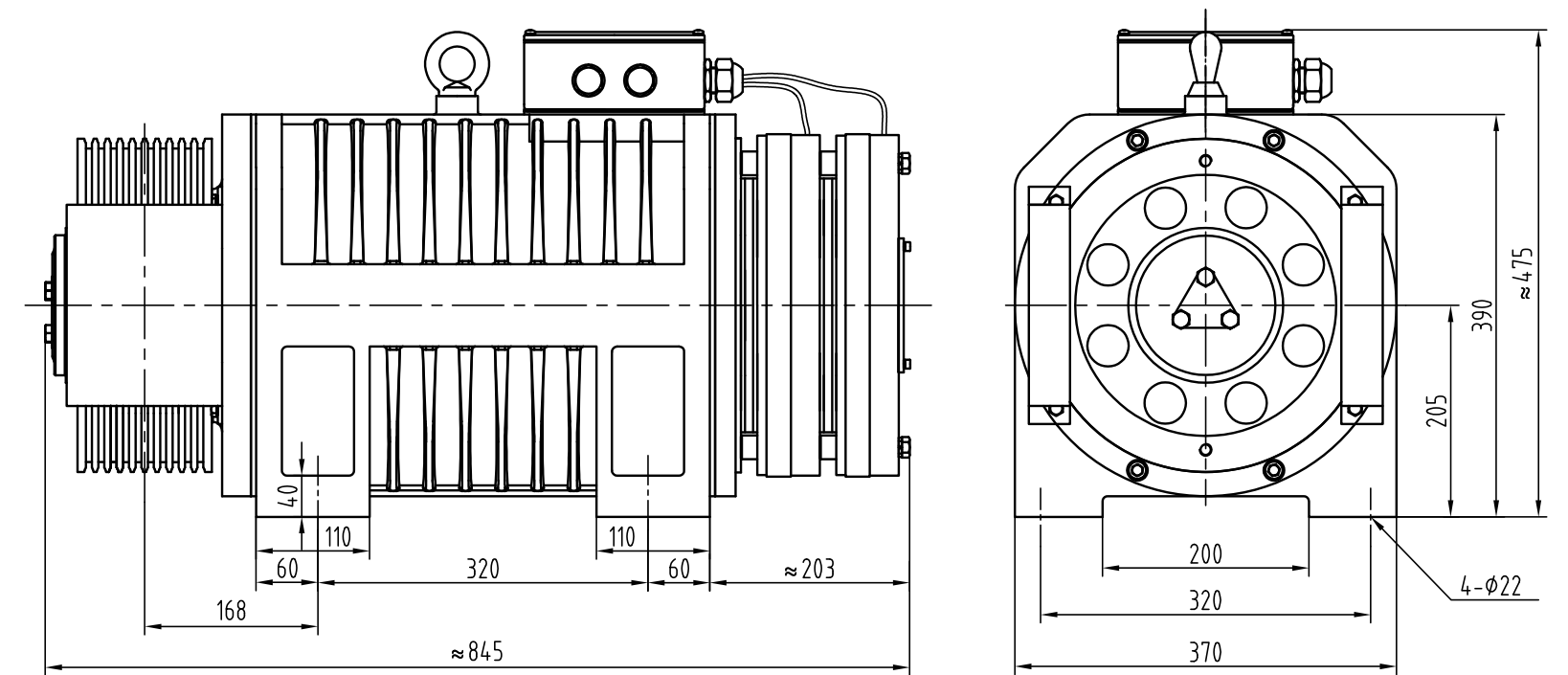


## ► RGL30

### Elevator traction machine

Voltage : 380V  
 Suspension : 2 : 1  
 SPZ800B Brake : DC110V 2×1.5A  
 Weight : 455kg  
 Max.Static Load : 4500kg

Spec	Load Lift (kg)	Speed (m/s)	Sheave Diam(mm)	Rope Sheave (mm)	Current (A)	Torque (Nm)	Rated Speed (rpm)	Frequency (Hz)	Power (kW)	Pole	Rating	INS.Class	IP Code
<b>RGL30-131P0B</b>	<b>1350</b>	<b>1.0</b>	<b>Φ320</b>	<b>9×Φ8×12</b>	<b>22.8</b>	<b>735</b>	<b>119</b>	<b>19.9</b>	<b>9.2</b>	<b>20</b>	<b>S5(40%)</b>	<b>F</b>	<b>IP41</b>
RGL30-131P5B	1350	1.5	Φ320	9×Φ8×12	33	735	179	29.8	13.8	20	S5(40%)	F	IP41
RGL30-131P6B	1350	1.6	Φ320	9×Φ8×12	33	735	192	32	14.8	20	S5(40%)	F	IP41
RGL30-131P7B	1350	1.75	Φ320	9×Φ8×12	36.8	735	209	34.8	16.1	20	S5(40%)	F	IP41
<b>RGL30-161P0B</b>	<b>1600</b>	<b>1.0</b>	<b>Φ320</b>	<b>10×Φ8×12</b>	<b>27</b>	<b>870</b>	<b>119</b>	<b>19.9</b>	<b>10.8</b>	<b>20</b>	<b>S5(40%)</b>	<b>F</b>	<b>IP41</b>
RGL30-161P5B	1600	1.5	Φ320	10×Φ8×12	39	870	179	29.8	16.3	20	S5(40%)	F	IP41
RGL30-161P6B	1600	1.6	Φ320	10×Φ8×12	39	870	192	32	17.5	20	S5(40%)	F	IP41
RGL30-161P7B	1600	1.75	Φ320	10×Φ8×12	43.5	870	209	34.8	19	20	S5(40%)	F	IP41



**REMARK**

This machine is not equipped with manual brake release. Only electrical brake release is available.