

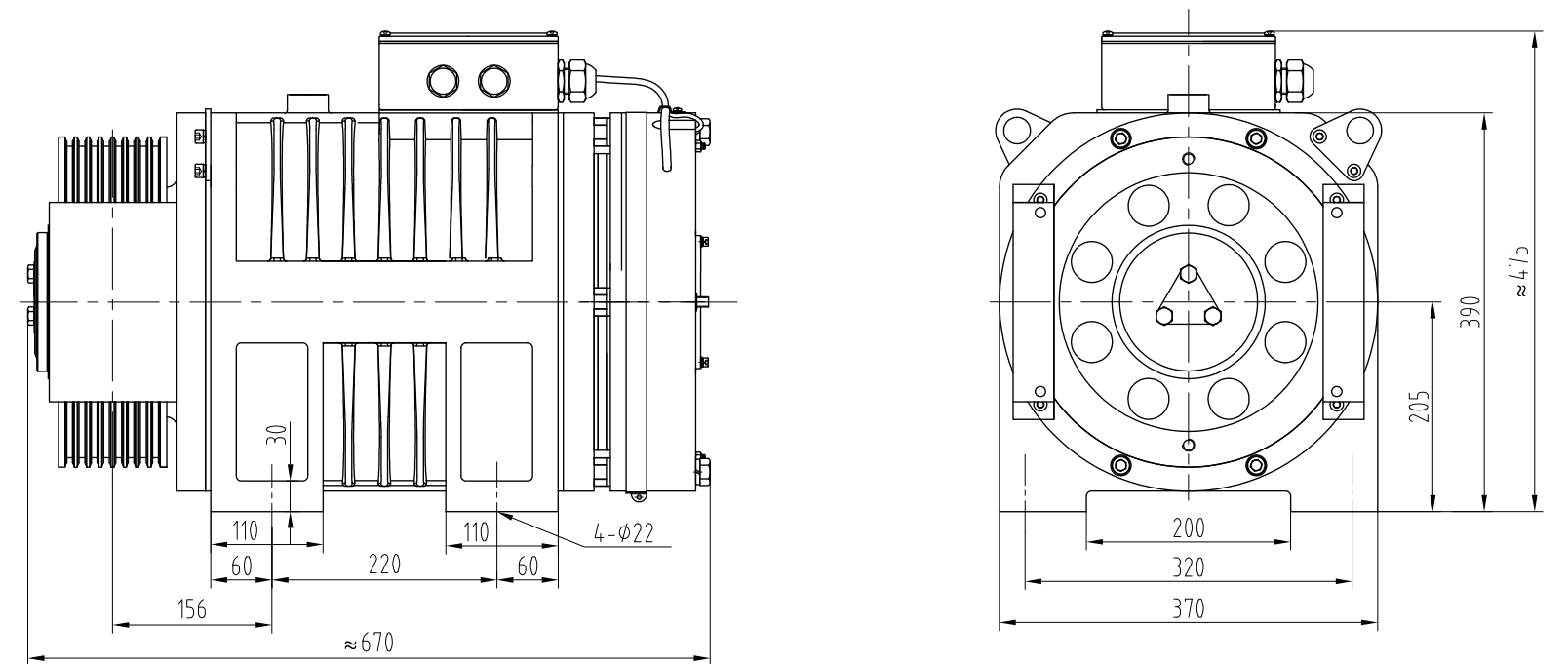


▶ RGL20

Elevator traction machine

Voltage : 380V
 Suspension : 2 : 1
 PZ1600B Brake : DC110v 1.2A
 Weight : 360kg
 Max.Static Load : 3800kg

Spec	Load (kg)	Lift Speed (m/s)	Sheave Diam(mm)	Rope Sheave (mm)	Current (A)	Torque (Nm)	Rated Speed (rpm)	Frequency (Hz)	Power (kW)	Pole	Rating	INS.Class	IP Code
RGL20-111P0C	1150	1.0	Φ320	8×Φ8×12	18.3	630	119	19.9	7.8	20	S5(40%)	F	IP41
RGL20-111P5C	1150	1.5	Φ320	8×Φ8×12	28	630	179	29.8	11.8	20	S5(40%)	F	IP41
RGL20-111P6C	1150	1.6	Φ320	8×Φ8×12	28.0	630	192	32	12.7	20	S5(40%)	F	IP41
RGL20-111P7C	1150	1.75	Φ320	8×Φ8×12	30.5	630	209	34.8	13.8	20	S5(40%)	F	IP41
RGL20-112P0C	1150	2.0	Φ320	8×Φ8×12	33.5	630	239	39.8	15.8	20	S5(40%)	F	IP41
RGL20-121P0C	1250	1.0	Φ320	8×Φ8×12	19.8	680	119	19.9	8.5	20	S5(40%)	F	IP41
RGL20-121P5C	1250	1.5	Φ320	8×Φ8×12	30.3	680	179	29.8	12.7	20	S5(40%)	F	IP41
RGL20-121P6C	1250	1.6	Φ320	8×Φ8×12	30.3	680	192	32	13.8	20	S5(40%)	F	IP41
RGL20-121P7C	1250	1.75	Φ320	8×Φ8×12	32.8	680	209	34.8	14.9	20	S5(40%)	F	IP41
RGL20-122P0C	1250	2.0	Φ320	8×Φ8×12	38.9	680	239	39.8	17	20	S5(40%)	F	IP41



REMARK

The machine can be configured with the remote manual brake release with 4-meter cable.