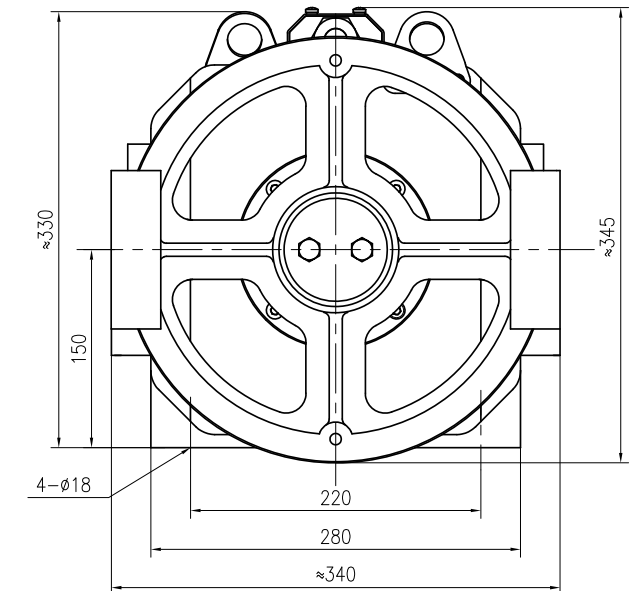
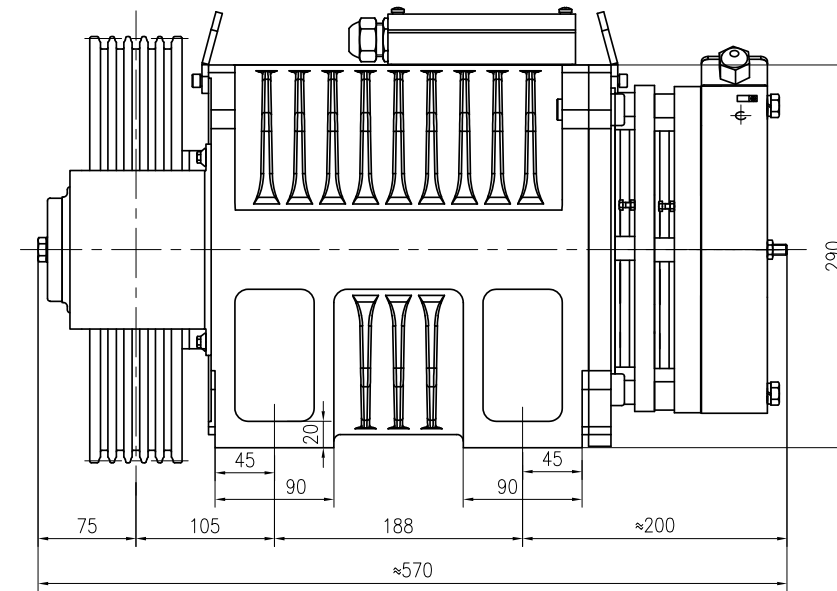




## ► RGL00L

### Elevator traction machine

Voltage : 380V  
 Suspension : 2 : 1  
 SPZ300C Brake : DC110v 1.9A  
 Weight : 160kg  
 Max.Static Load : 2000kg



Spec	Load (kg)	Lift Speed (m/s)	Sheave Diam(mm)	Rope Sheave (mm)	Current (A)	Torque (Nm)	Rated Speed (rpm)	Frequency (Hz)	Power (kW)	Pole	Rating	INS.Class	IP Code
RGL00L-51P0	550	1.0	Φ320	5×Φ8×12	8.5	290	120	20	3.6	20	S5(40%)	F	IP41
RGL00L-51P5	550	1.5	Φ320	5×Φ8×12	14.4	290	179	29.8	5.4	20	S5(40%)	F	IP41
RGL00L-51P6	550	1.6	Φ320	5×Φ8×12	14.4	290	192	32	5.8	20	S5(40%)	F	IP41
RGL00L-51P7	550	1.75	Φ320	5×Φ8×12	15	290	209	34.8	6.3	20	S5(40%)	F	IP41
RGL00L-61P0	630	1.0	Φ320	5×Φ8×12	10.3	336	120	20	4.2	20	S5(40%)	F	IP41
RGL00L-61P5	630	1.5	Φ320	5×Φ8×12	16.5	336	179	29.8	6.3	20	S5(40%)	F	IP41
RGL00L-61P6	630	1.6	Φ320	5×Φ8×12	16.5	336	192	32	6.8	20	S5(40%)	F	IP41
RGL00L-61P7	630	1.75	Φ320	5×Φ8×12	17.3	336	209	34.8	7.4	20	S5(40%)	F	IP41

#### REMARK

The machine can be configured with the remote manual brake release with 4-meter cable.