

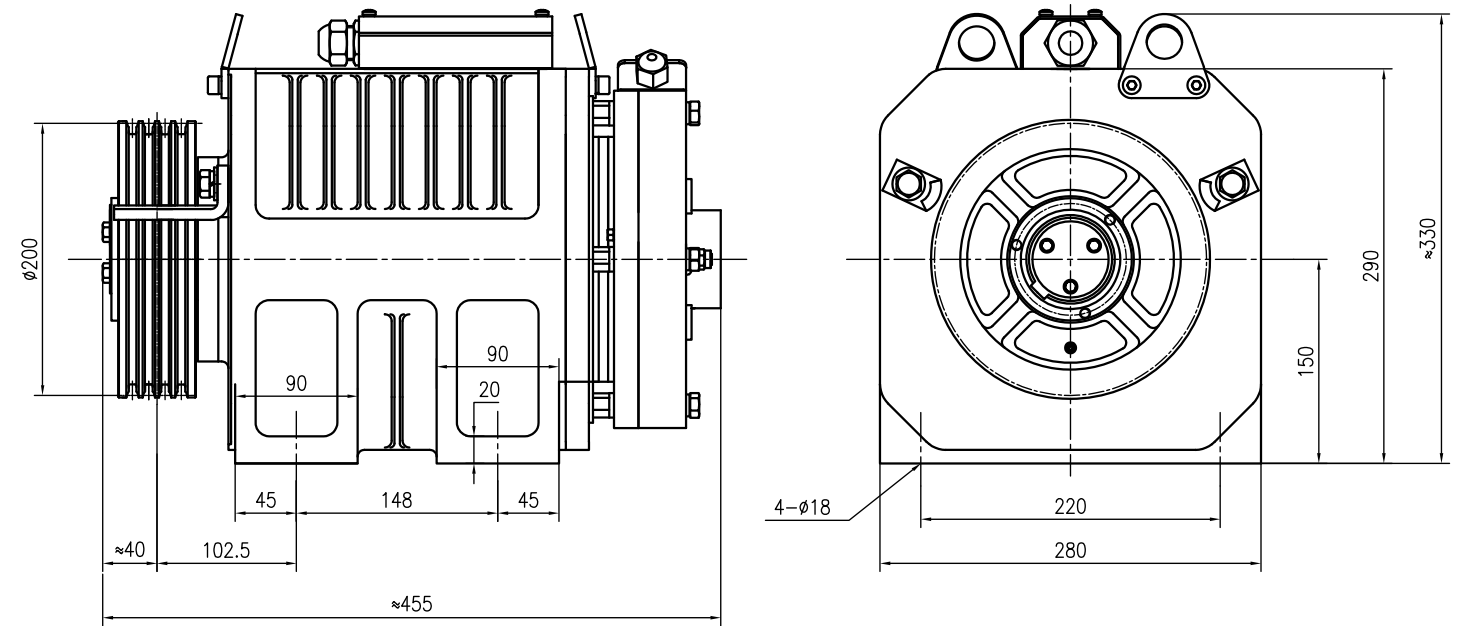


RGL00 For Home Lift

Elevator traction machine

Voltage : 380V or 220v
 Suspension : 2 : 1
 PZ300B Brake : DC110v 1.6A
 Weight : 140kg
 Max.Static Load : 1300kg

Spec	Load (kg)	Lift Speed (m/s)	Sheave Diam(mm)	Rope Sheave (mm)	Current (A)	Torque (Nm)	Rated Speed (rpm)	Frequency (Hz)	Power (kW)	Pole	Rating	INS.Class	IP Code
RGL00-40P4A	450	0.4	Φ200	4×Φ8×12	2.8	138	76	12.7	1.1	20	S5(25%)	F	IP41
RGL00-40P4A(220V)	450	0.4	Φ200	4×Φ8×12	5.6	138	76	12.7	1.1	20	S5(25%)	F	IP41



REMARK

The machine can be configured with the remote manual brake release with 4-meter cable.