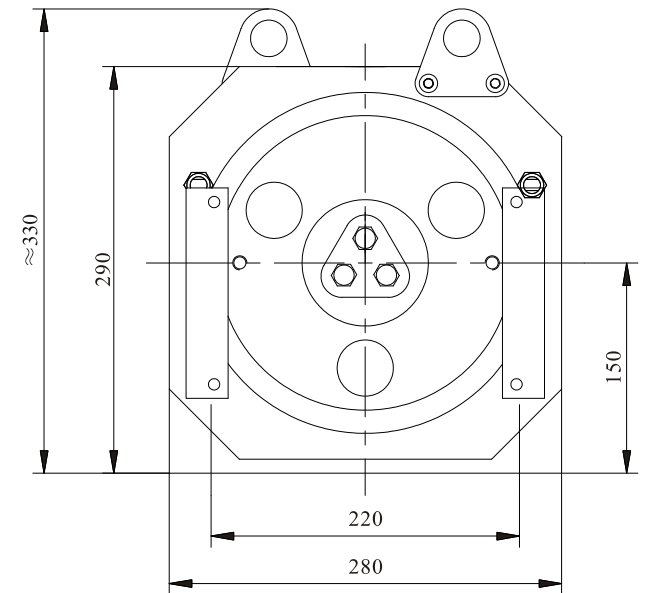
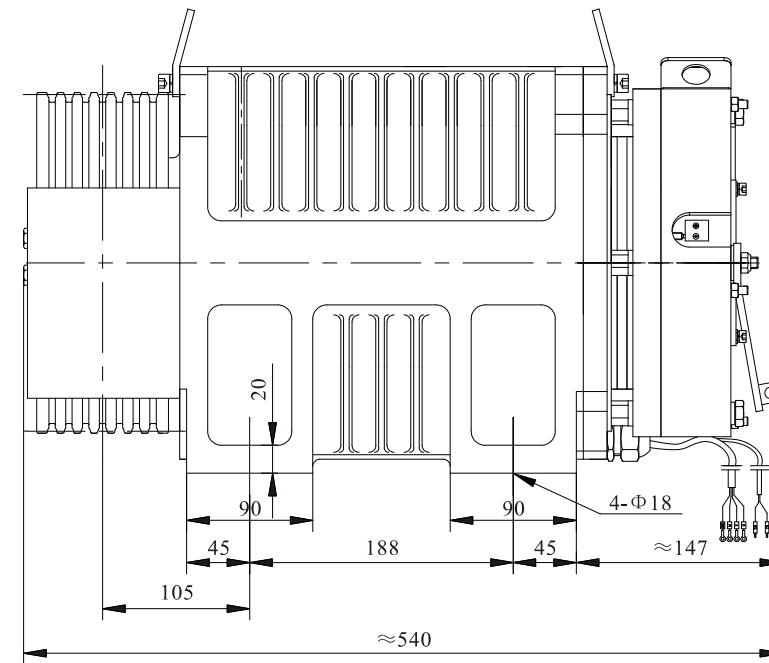


▶ RGL00

Elevator traction machine

Voltage : 380V
 Suspension : 2 : 1
 PZ300C Brake : DC110v 1.9A
 Weight : 160kg
 Max.Static Load : 1800kg

Spec	Load (kg)	Lift Speed (m/s)	Sheave Diam(mm)	Rope Sheave (mm)	Current (A)	Torque (Nm)	Rated Speed (rpm)	Frequency (Hz)	Power (kW)	Pole	Rating	INS.Class	IP Code
RGL00-41P0C	450	1.0	Φ320	4×Φ8×12	8.4	240	120	20	3	20	S5(40%)	F	IP41
RGL00-41P5C	450	1.5	Φ320	4×Φ8×12	11.6	240	179	29.8	4.5	20	S5(40%)	F	IP41
RGL00-41P6C	450	1.6	Φ320	4×Φ8×12	11.6	240	192	32	4.8	20	S5(40%)	F	IP41
RGL00-41P7C	450	1.75	Φ320	4×Φ8×12	12.5	240	209	34.8	5.3	20	S5(40%)	F	IP41
RGL00-61P0B	630	1.0	Φ240	7×Φ6.5×12	10.7	230	159	26.5	4	20	S5(40%)	F	IP41
RGL00-61P5B	630	1.5	Φ240	7×Φ6.5×12	15.3	230	239	39.8	6	20	S5(40%)	F	IP41
RGL00-61P6B	630	1.6	Φ240	7×Φ6.5×12	15.3	230	255	42.5	6.4	20	S5(40%)	F	IP41
RGL00-61P7B	630	1.75	Φ240	7×Φ6.5×12	16.5	230	279	46.5	7	20	S5(40%)	F	IP41



REMARK

The machine can be configured with the remote manual brake release with 4-meter cable.