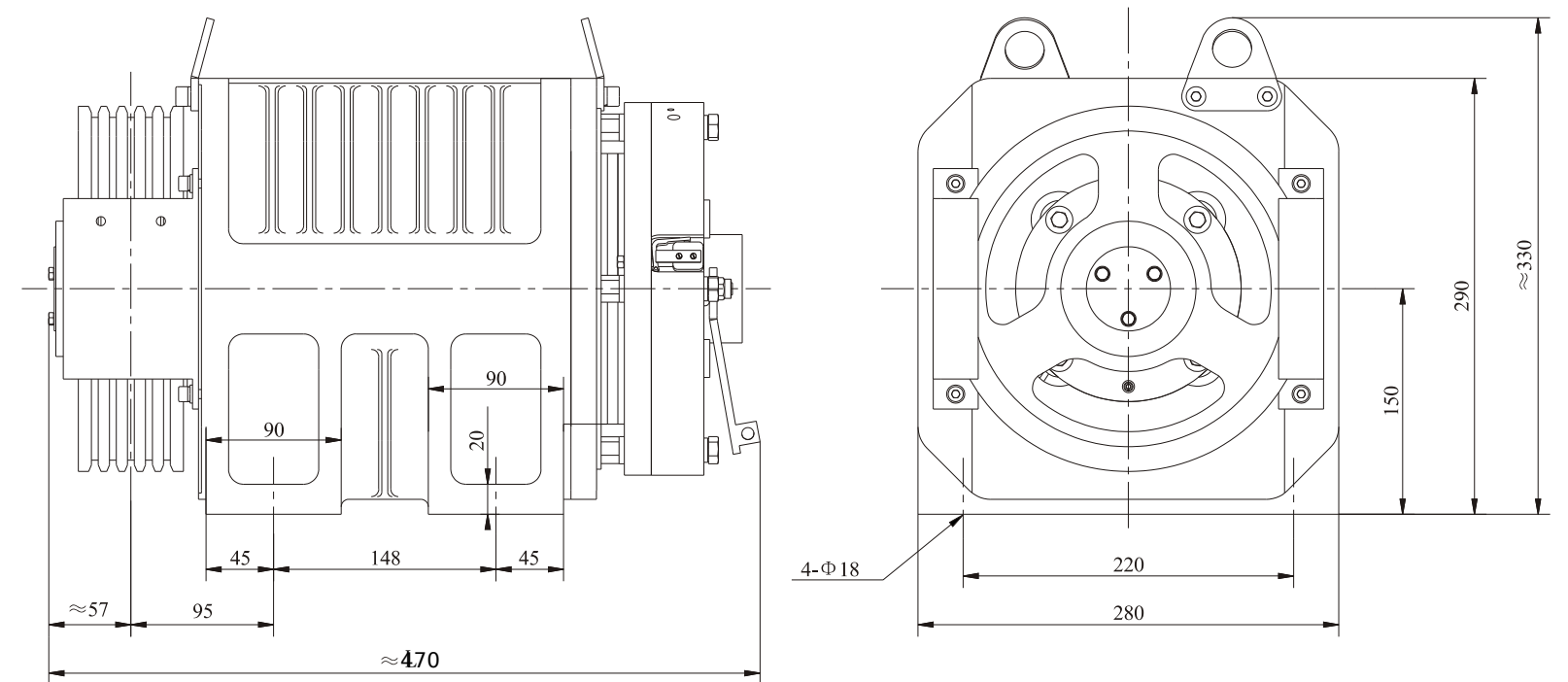


► RGL00

Elevator traction machine

Voltage : 380V
 Suspension : 2 : 1
 PZ300B Brake : DC110v 1.6A
 Weight : 140kg
 Max.Static Load : 1600kg

Spec	Load (kg)	Lift Speed (m/s)	Sheave Diam(mm)	Rope Sheave (mm)	Current (A)	Torque (Nm)	Rated Speed (rpm)	Frequency (Hz)	Power (kW)	Pole	Rating	INS.Class	IP Code
RGL00-31P0B	320	1.0	Φ240	4xΦ6.5x12	5.4	125	159	26.5	2.1	20	S5(40%)	F	IP41
RGL00-31P5B	320	1.5	Φ240	4xΦ6.5x12	8	125	239	39.8	3.1	20	S5(40%)	F	IP41
RGL00-31P6B	320	1.6	Φ240	4xΦ6.5x12	8	125	255	42.5	3.3	20	S5(40%)	F	IP41
RGL00-31P7B	320	1.75	Φ240	4xΦ6.5x12	8.6	125	279	46.5	3.7	20	S5(40%)	F	IP41
RGL00-41P0B	450	1.0	Φ240	5xΦ6.5x12	8.6	175	159	26.5	3	20	S5(40%)	F	IP41
RGL00-41P5B	450	1.5	Φ240	5xΦ6.5x12	10.9	175	239	39.8	4.5	20	S5(40%)	F	IP41
RGL00-41P6B	450	1.6	Φ240	5xΦ6.5x12	10.9	175	255	42.5	4.7	20	S5(40%)	F	IP41
RGL00-41P7B	450	1.75	Φ240	5xΦ6.5x12	12	175	279	46.5	5.1	20	S5(40%)	F	IP41



REMARK

The machine can be configured with the remote manual brake release with 4-meter cable.